

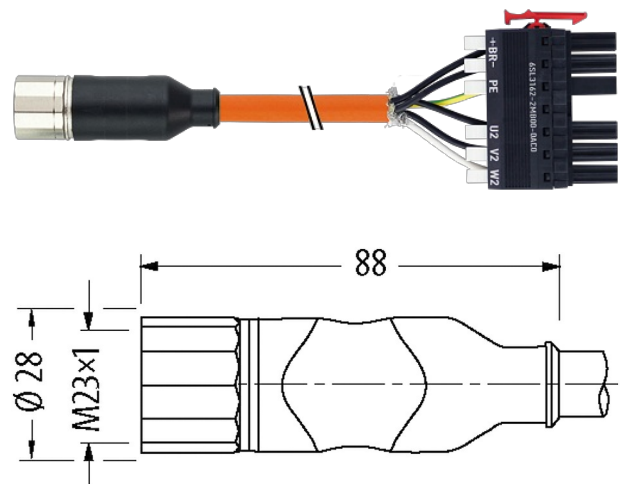
## M23 SERVO CABLE

Specification: 6FX8002-5CS06-1BA0

Female straight – pre-wired terminals  
 Plastic housings with good resistance against chemicals and oils.  
 M23, 6-pole  
 4-pole used  
 Power connector SIEMENS  
 shielded  
 without brake wires  
 Power cable for SINAMICS S120 and Motors with M23 connection  
 without cable sleeves  
 Further cable lengths on request.

### [Link to Product](#)

#### Illustration



Product may differ from Image

#### Form

Form PS415

#### General data

Pollution Degree	3
Temperature range	-25...+85 °C, depending on cable quality
Material (gasket)	FKM

#### Cables

Cable number	854
No./diameter of wires	(4G1.5+C)
Wire isolation	TPM (bk num, gnye)
C-track properties	10 Mio.
Torsion stress	±30 °/m
Jacket Color	orange
Material (jacket)	PUR (UL/CSA) (=MC800+)
Specification	6FX8008-1BB11
Outer Ø	9.1 mm ±5%
Bend radius (fixed)	5 × outer Ø

Bend radius (moving)	7.5 × outer Ø
Temperature range (fixed)	-30...+80 °C
Temperature range (mobile)	-30...+60 °C
Shield	yes
Approval (cable)	cURus (AWM-Style 21223/10492)

#### Technical Data

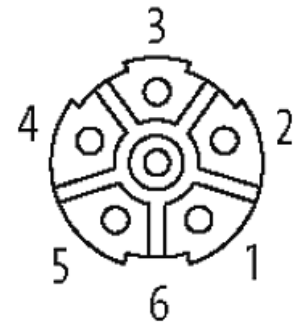
Operating voltage	max. 630 V AC/DC
Rated surge voltage	6.0 kV
Operating current per contact	Power cores: 12 A (1.5 mm <sup>2</sup> ), 15 A (2.5 mm <sup>2</sup> )
Material group	IEC 60664-1, category I
Locking of ports	Screw thread (M23×1 mm) recommended torque 2.0 Nm, self-securing
Compression gland	M23 (SW27)
Protection	IP65 and IP67 when plugged and screwed down (EN 60529)
Locking material	Brass, nickel plated
Material	PUR
suitable for corrugated tube (internal Ø)	16 mm; 23 mm

#### Commercial data

country of origin	DE
customs tariff number	85444290
EAN	4048879658379
eClass	27279218
Packaging unit	1

#### Sketch

Female



Product may differ from Image